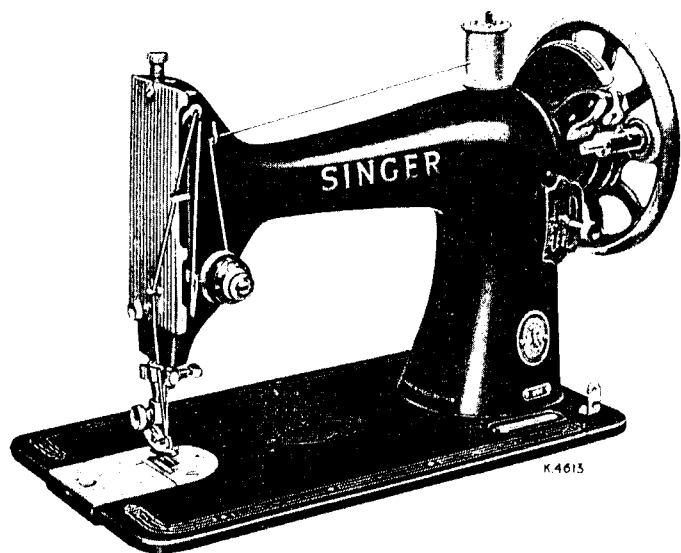


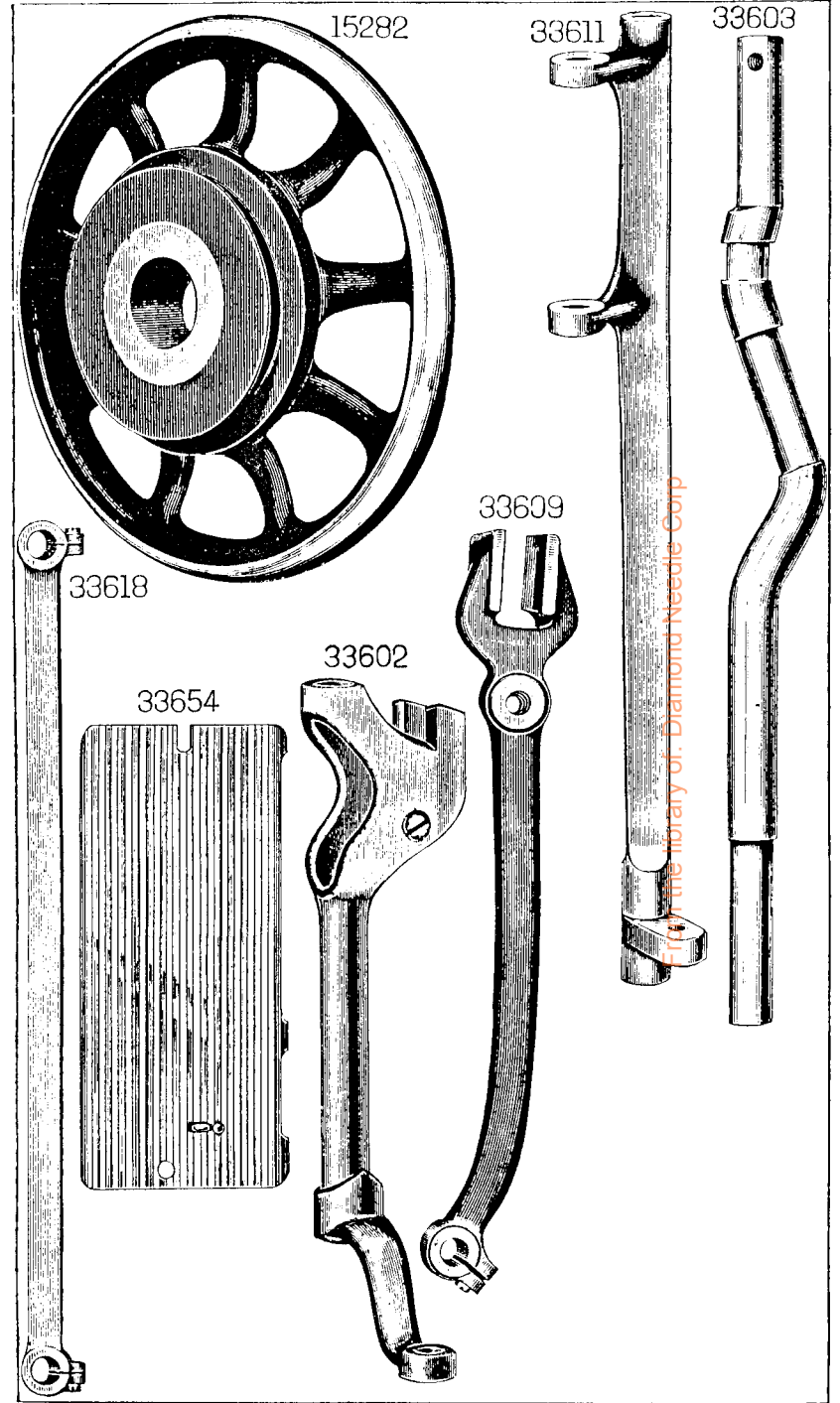
SINGER
99K29,K31

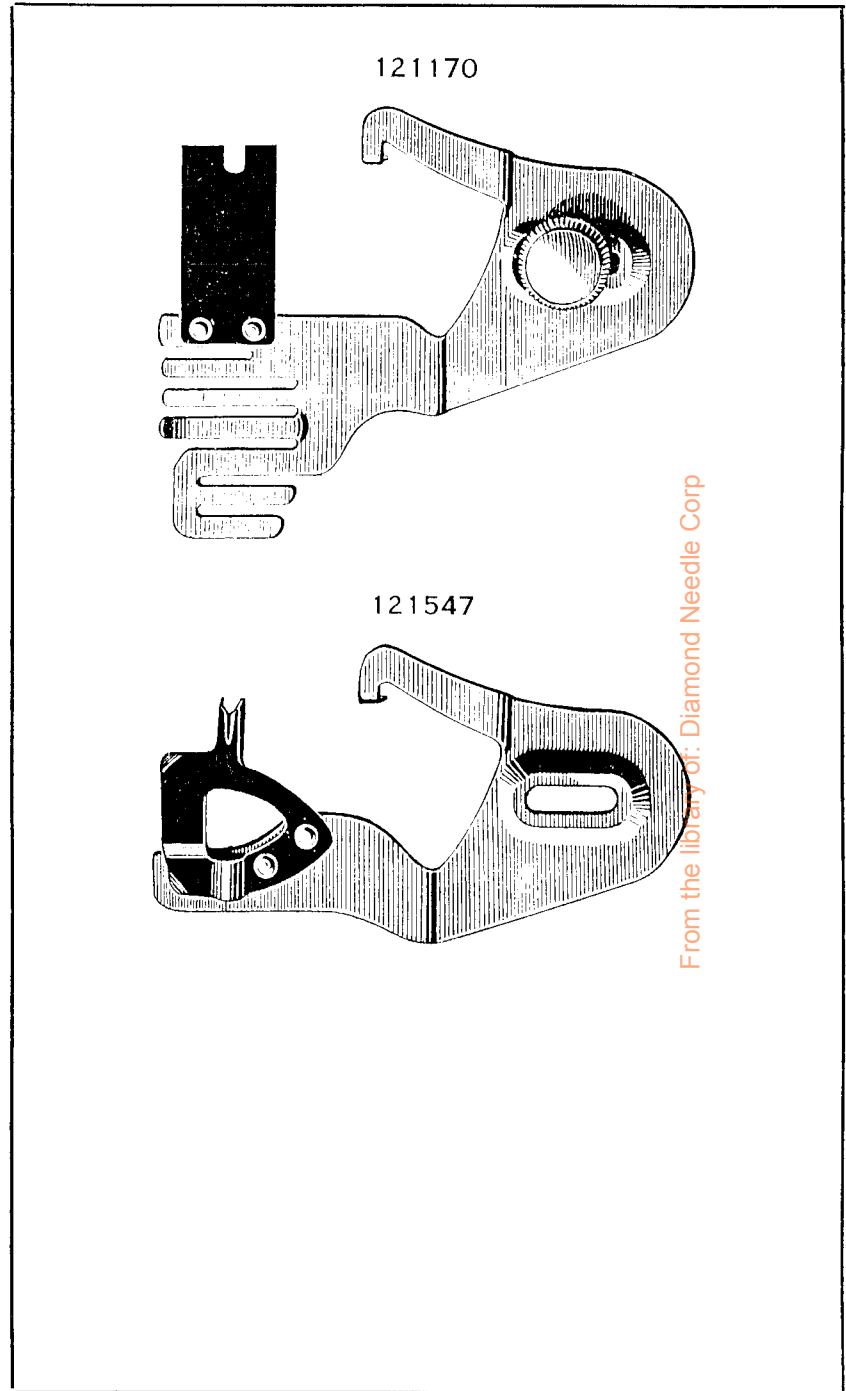
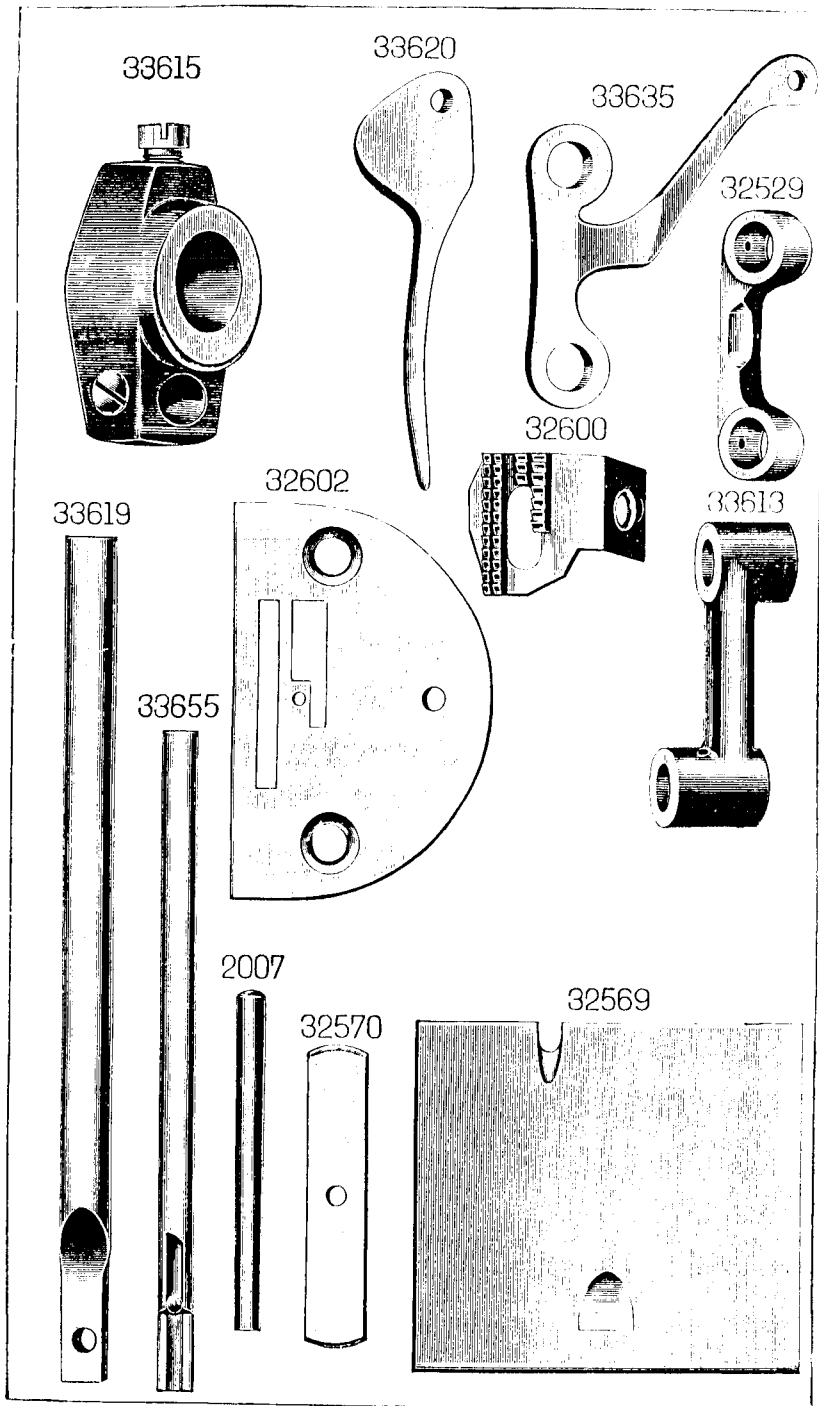
ILLUSTRATED
LIST OF PARTS
FOR
Nos. 99K29 to 99K31
Machines



No. 99K29 Machine

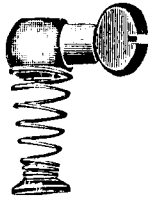
** A Trade Mark of
THE SINGER MANUFACTURING COMPANY





From the library of: Diamond Needle Corp

86496



86493



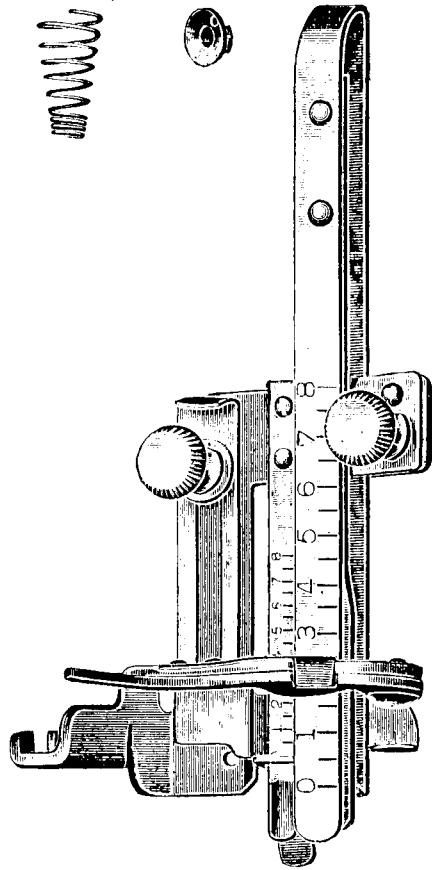
86494



86495



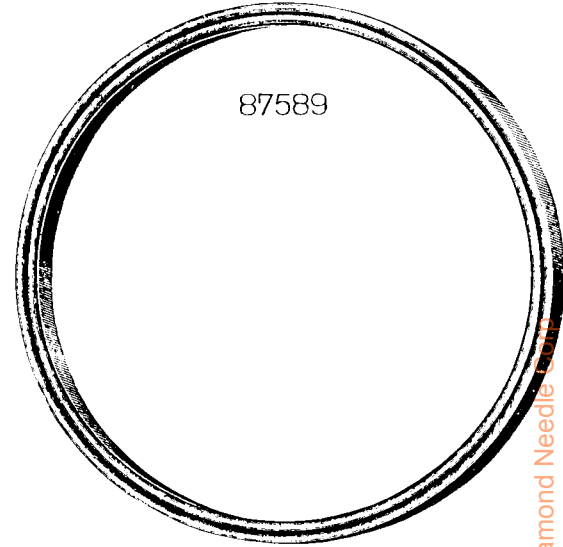
36583



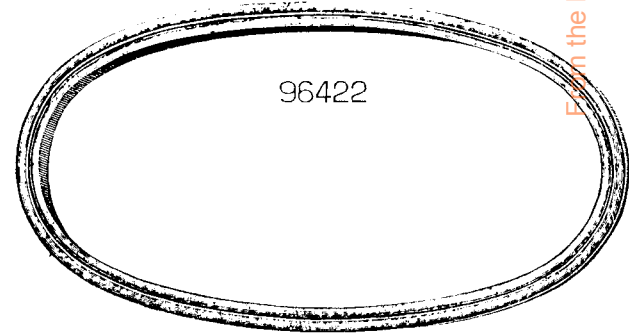
140545



87589

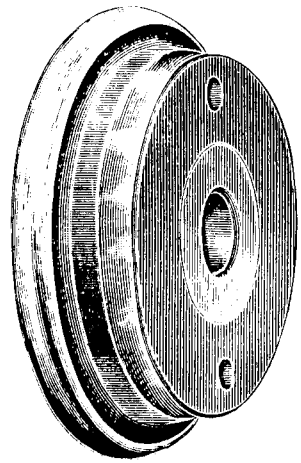


96422

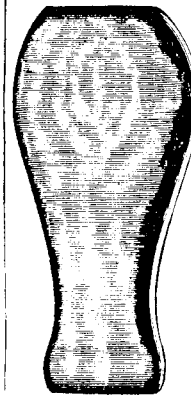


From the library of: Diamond Needle Co.

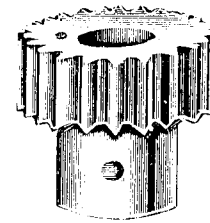
32672



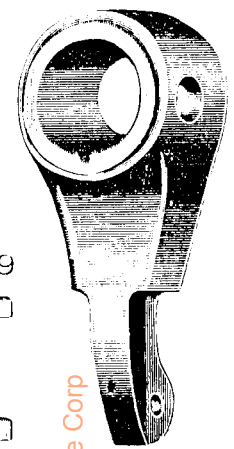
94028



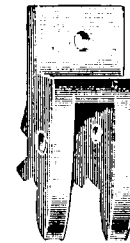
94048



94046



94036



94039



94029



94069



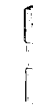
80028



94032



94044



55531



94038



94037



94033



94030



183



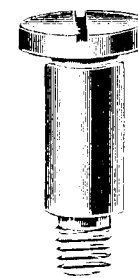
94040



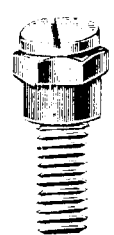
SS599



SS600



SS566



399



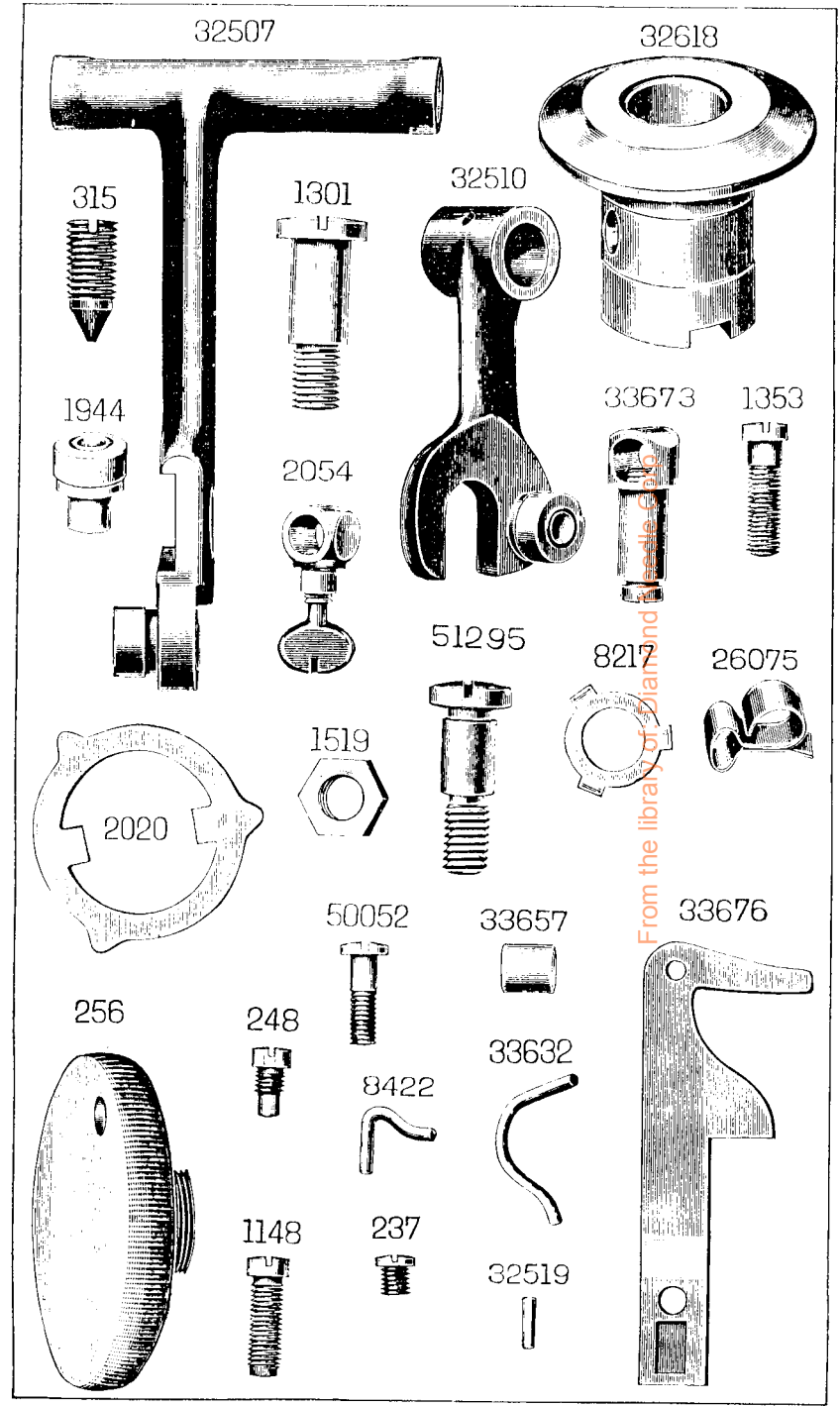
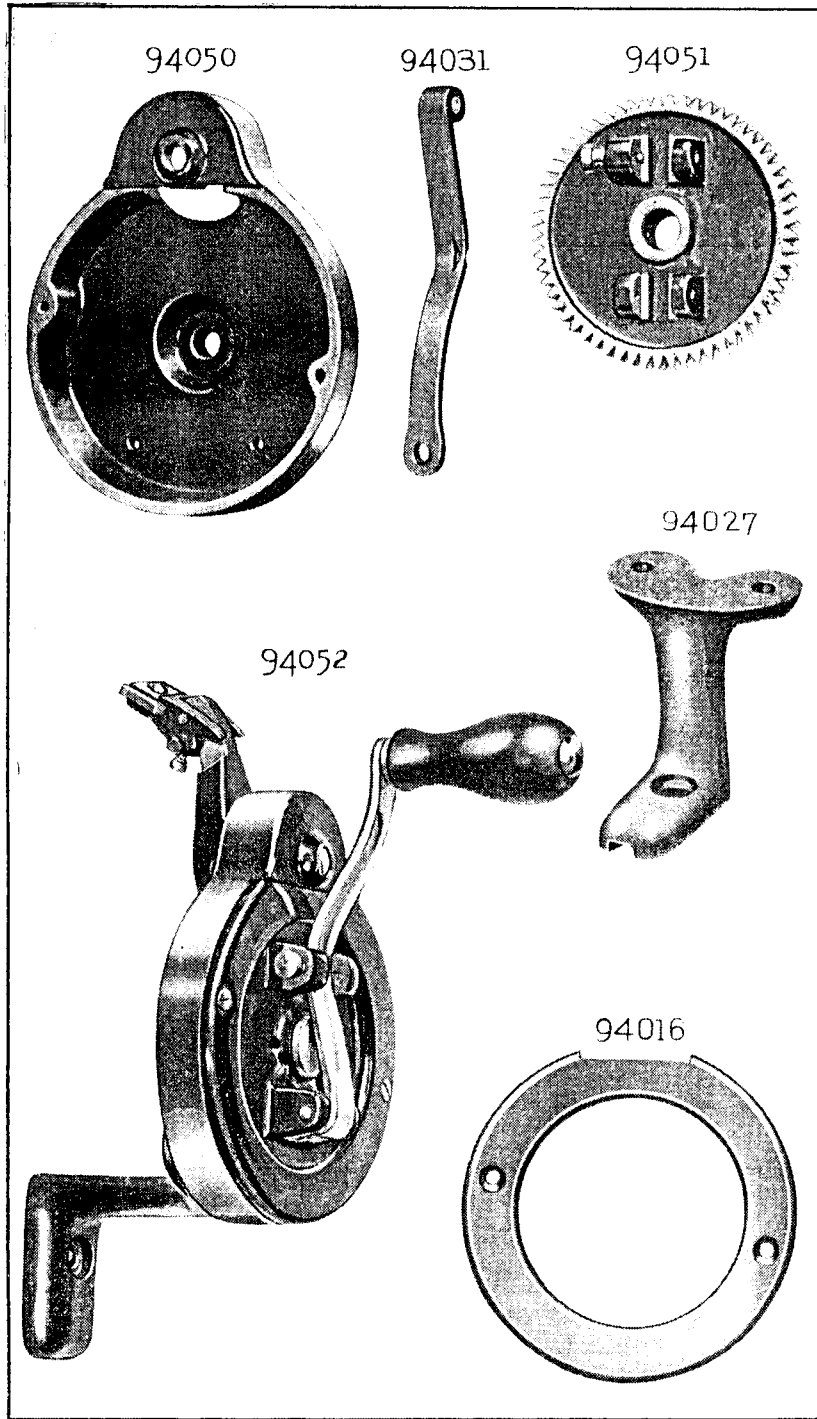
SS565

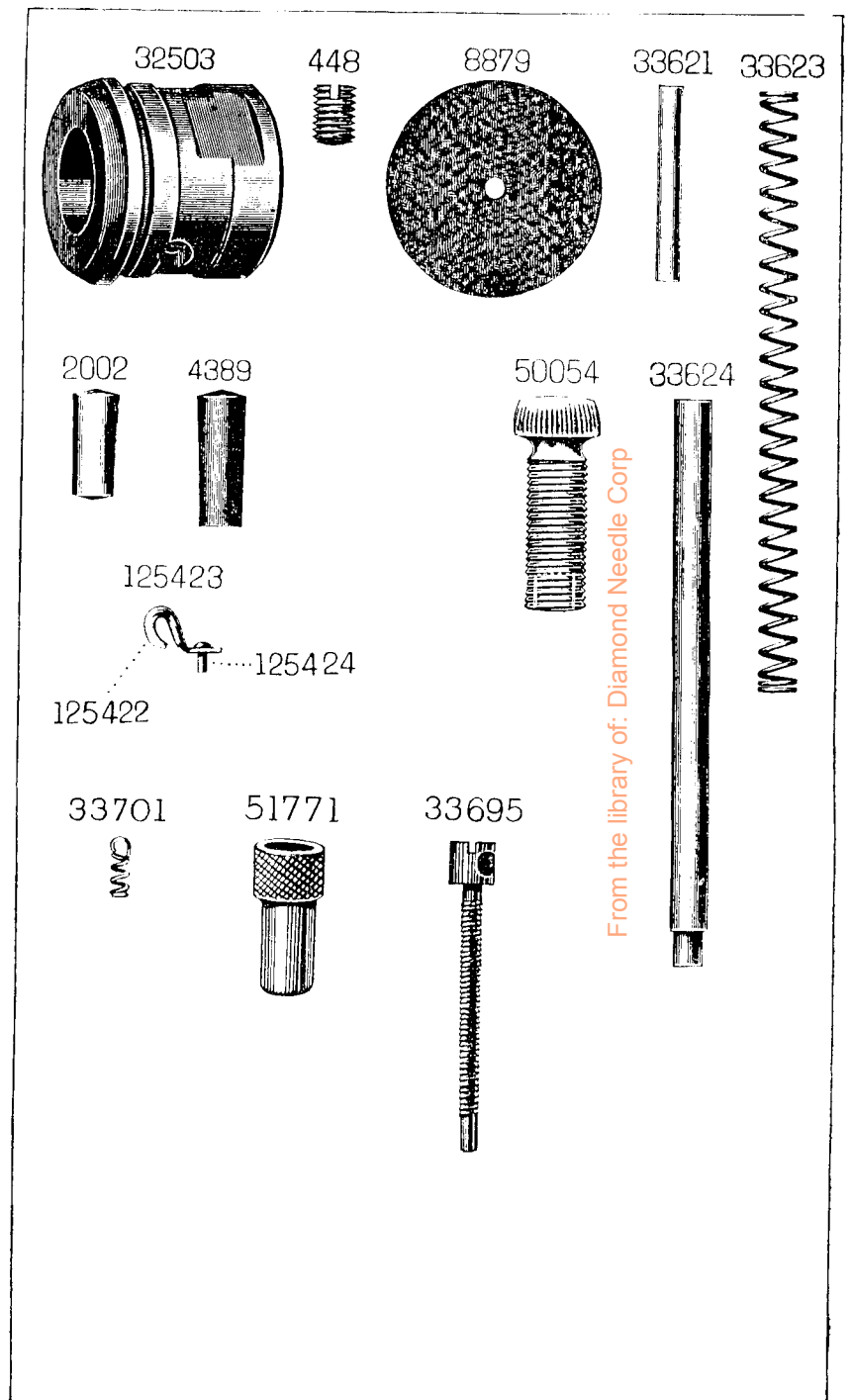
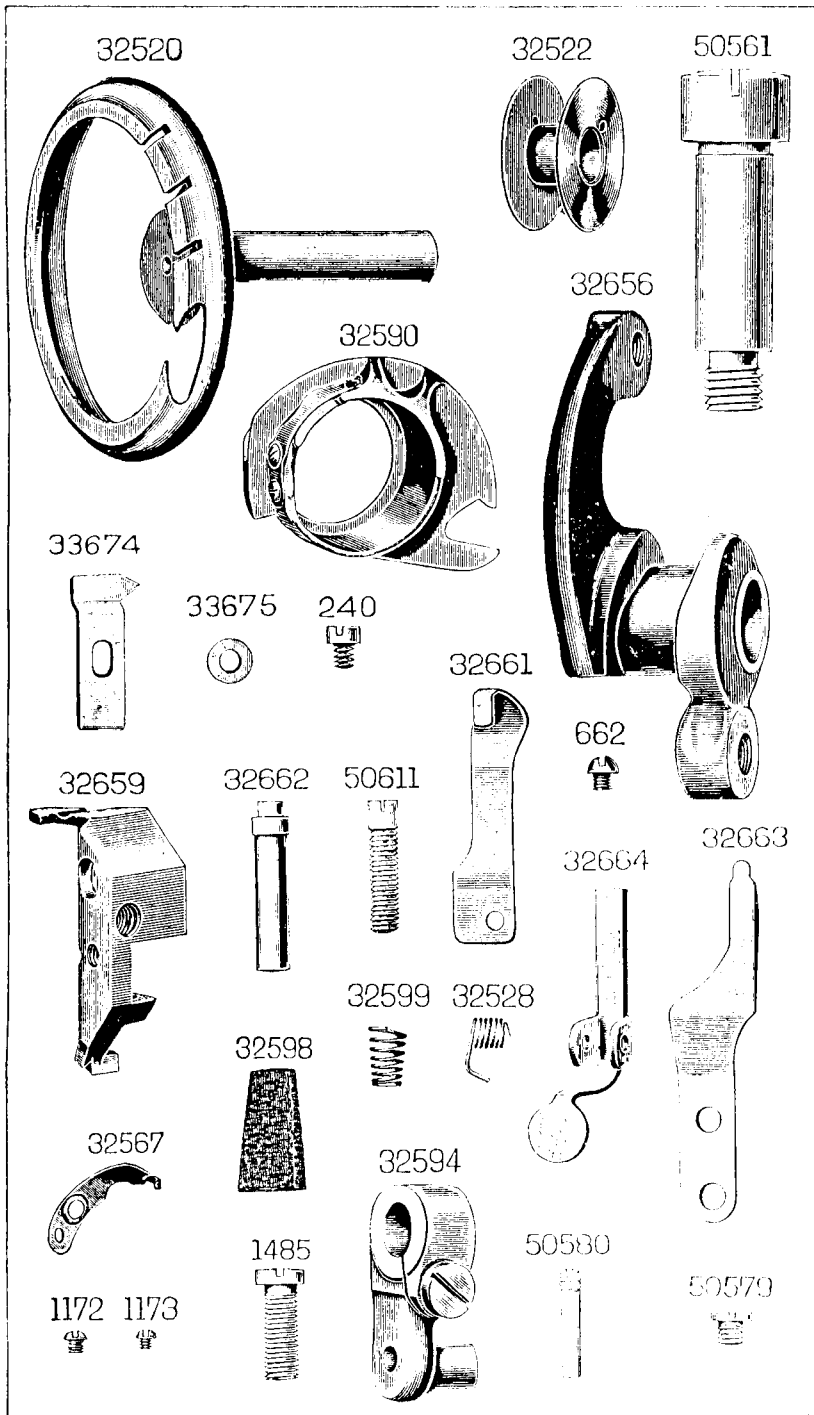


SS567



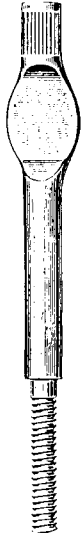
from the library of: Eitan and Needle Corp





From the library of: Diamond Needle Corp

SS 528



96425



96426



96844



96427



96845



NW95



44



138



175



191



203



216



226



307



691



905



1085



1132



1134



1216



1381



50046



50047



50684



51045



51224



1512



1513



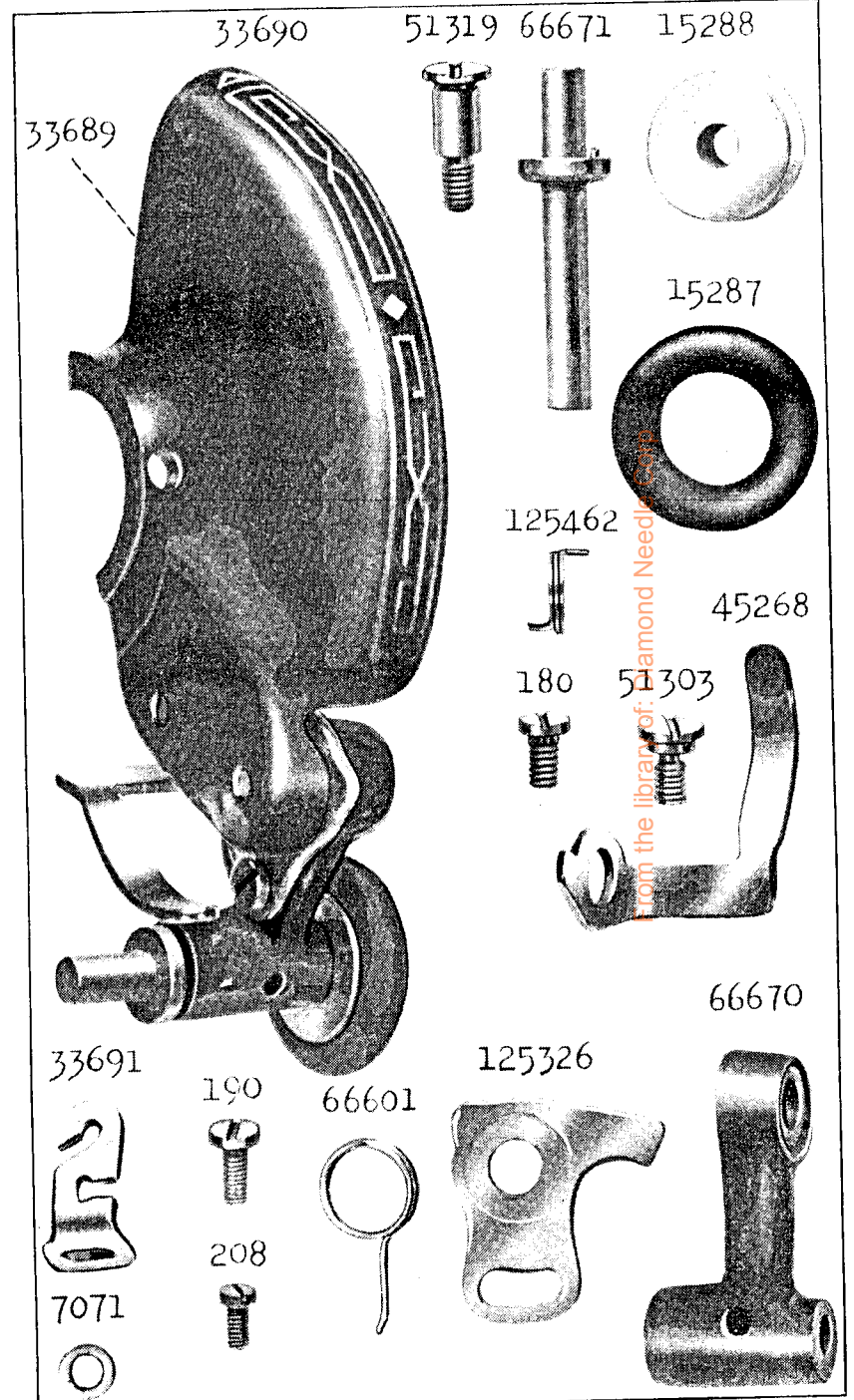
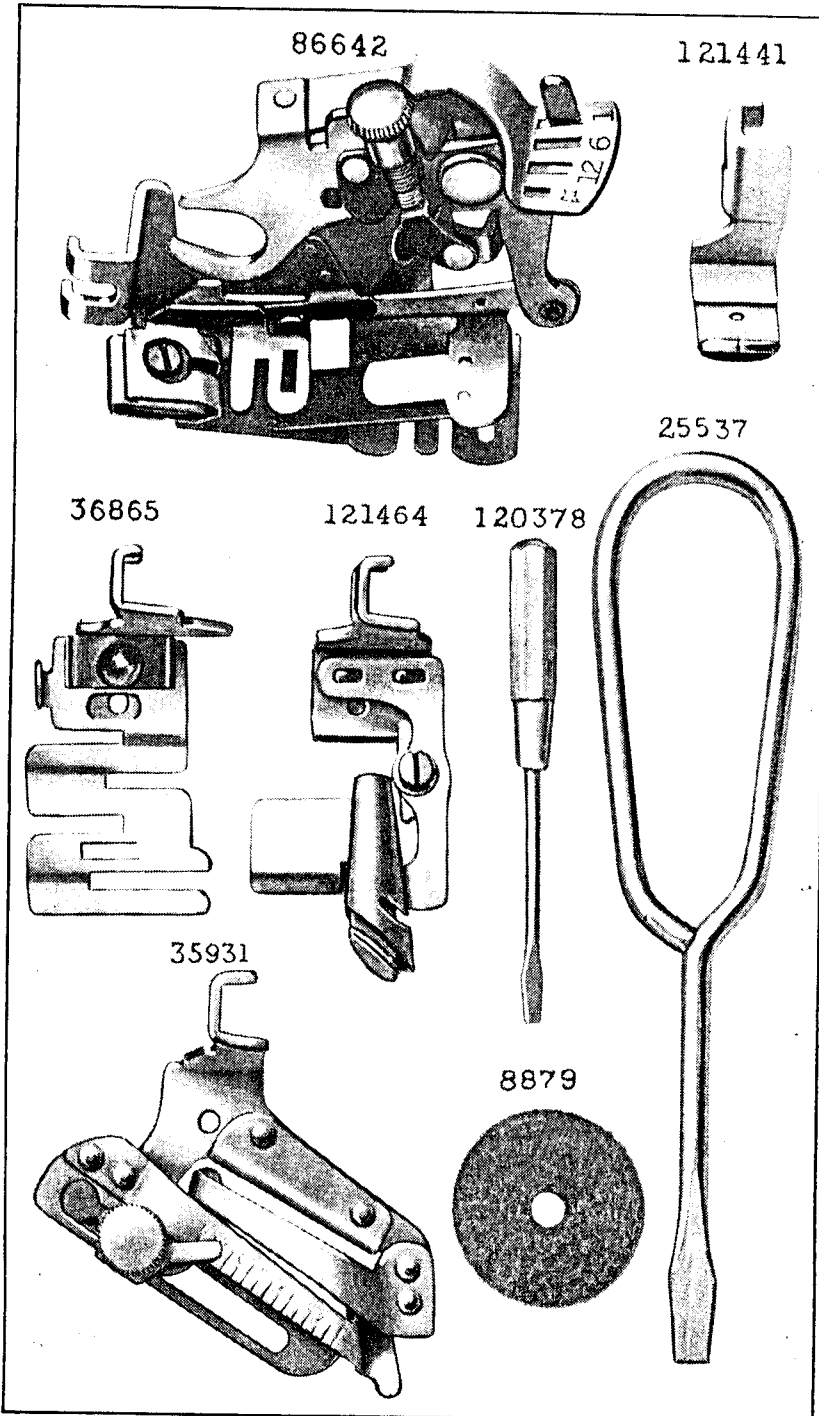
1520

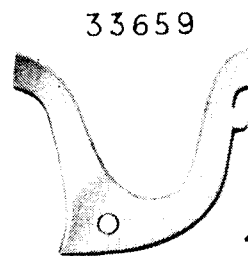
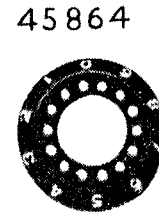
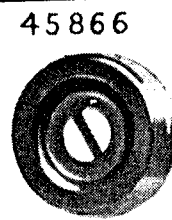
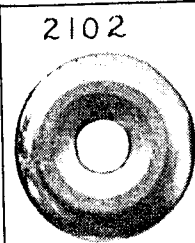
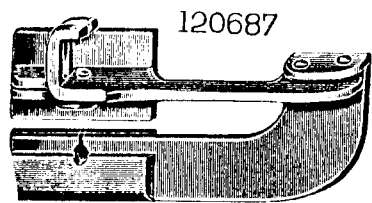
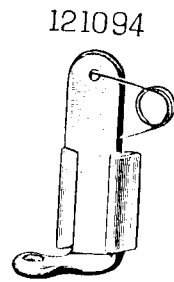
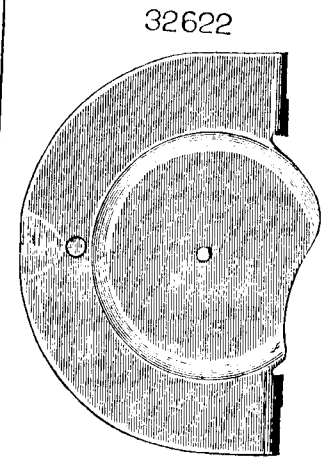


1832

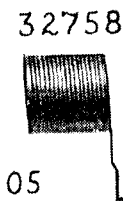
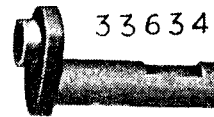


From the library of the National Library of Medicine





140167



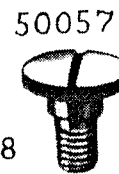
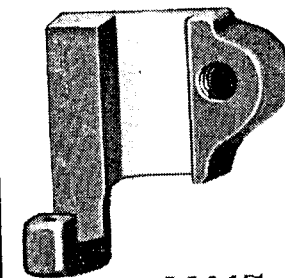
50305



50056



33693



1036

33638



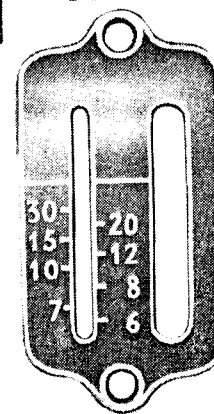
32773

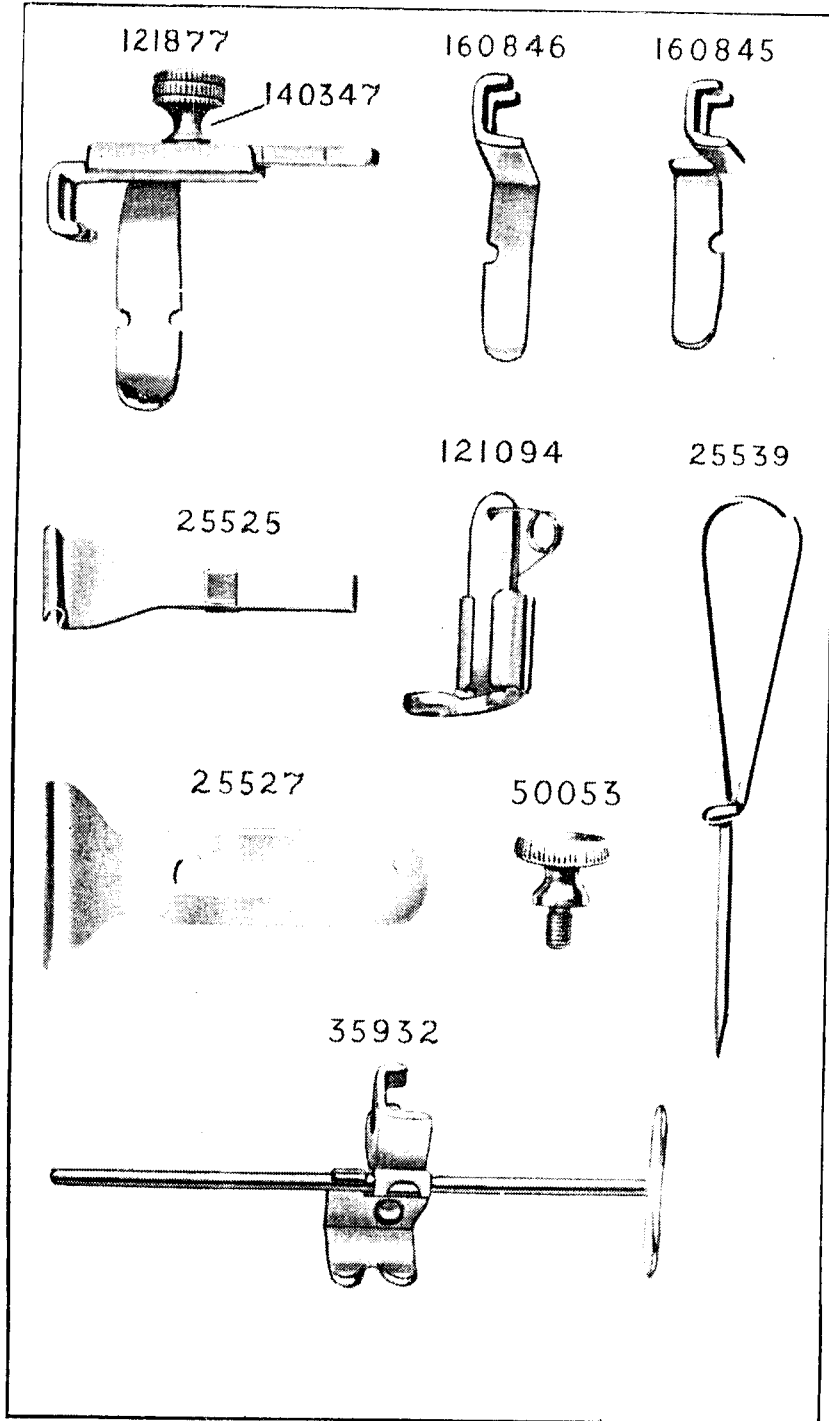
33698



624

51384





ILLUSTRATED
 LIST OF PARTS
 FOR
 Nos. 99K26 to 99K28
 Machines

From the library of Diamond Needle Corp

CONTENTS

	Page
Attachments and Accessories	31
Bobbin Winder	30
Hand Attachment	34
Machine Parts	25
Numerical List of Parts	37

From the library of: Diamond Needle Corp

INSTRUCTIONS FOR ORDERING

In ordering from this List, the prefix and affix letters with the part number MUST BE quoted exactly as they are shown in the first column.

A number always indicates the same part in whatever List it may appear, or for whatever machine.

The affix letters (where shown) indicate the style of finish, as follows:—

- A. Hardened, Polished, Nickel Plated and Buffed.
- A.A. Buffed and Chromium Plated.
- A.B. Hardened, Polished, Buffed and Chromium Plated.
- A.C. Brown Baking Enamel Finish.
- A.D. Grey Baking Enamel Finish.
- A.E. Hardened, Bright Rumbled and Nickel Plated.
- A.F. Hardened, Bright Rumbled and Nickel Plated, Bright Rumbled and Chromium Plated.
- A.J. Polished, Nickel Plated and Chromium Plated.
- A.K. Hardened, Polished, Nickel Plated and Chromium Plated.
- A.L. Heat Treated for Toughness.
- A.L.D. Heat Treated for Toughness and Polished.
- A.L.X. Heat Treated for Toughness and Black Oxide.
- A.M. Beige Synthetic Enamel.
- A.N. Red Synthetic Enamel Finish.
- A.P. Blue Synthetic Enamel Finish.
- A.P.P. Grey Wrinkle Finish.
- A.R. Beige Wrinkle Finish.
- A.S. Black Moulded Phenolic.
- A.T. Beige Moulded Phenolic.
- A.U. Brown Moulded Phenolic.
- A.V. Black Synthetic Enamel.
- A.W. Hardened and Flame Coated with Tungsten Carbide.
- A.X. Grey Dipping Enamel.
- B. Polished, Nickel Plated and Buffed.
- C. Hardened only.
- C.R. Hardened and Phosphoric Treated.
- D. Polished only.
- E. Soft, not Polished.
- F. Hardened and Polished.
- F.J. Hardened, Polished and Nickel Plated.
- G. Bright Rumbled and Nickel Plated.
- H. Blued.
- J. Nickel Plated only.
- K. Hardened and Nickel Plated.
- L. Brass Plated.
- M. Oxidized.
- N. Japanned, Dull.
- P. Japanned, Bright.
- P.P. Wrinkle Finish.
- R. Phosphoric Treated.
- S. Cadmium Plated.
- T. Copper Plated.
- T.A. Hardened, Polished, Copper and Nickel Plated and Buffed.
- T.B. Copper and Nickel Plated and Polished.
- T.J. Copper and Nickel Plated only.
- T.K. Hardened, Copper and Nickel Plated.
- T.L. Copper and Brass Plated.
- T.M. Copper Plated and Oxidized.
- U. Zinc Plated.
- V. Silver Plated.
- W. Polished and Nickel Plated.
- X. Black Oxide for Iron and Steel.
- X.C. Hardened and Black Oxide for Iron and Steel.
- Y. Black Nickel Plated only.
- Z. Chromium Plated.
- Z.A. Hardened, Polished, Nickel Plated, Buffed and Chromium Plated.
- Z.B. Polished, Nickel Plated, Buffed and Chromium Plated.
- Z.C. Hardened and Chromium Plated.
- Z.D. Polished and Chromium Plated.
- Z.G. Bright Rumbled, Nickel Plated, Bright Rumbled and Chromium Plated.
- Z.J. Nickel and Chromium Plated.
- Z.T. Copper and Chromium Plated.

Parts marked with an asterisk(*) are furnished only when the repairs are made at Factory.

PARTS COMPLETE FOR CLASS 99K MACHINES

(Nos. 99K29 to 99K31)

Lock Stitch ; Horizontal Oscillating Hook ; Stationary Bobbin Case ;
Link Take-up ; Reversible Drop Feed ; for Family Use

No.	Plate				
*33692		Arm with 118za and 32503
2002	2396	" Dowel Pin (2)
1389	2396	" " " (for repairs only)
33602r	892	" Rock Shaft with 905e
33661		" " " 33602r with 1216e and 1520j
	905e	" " " Adjusting Screw
50016e	2100	" " " Screw Centre (lower)
33666		" " " " " (") 50016e with 1512r
1512r	2100	" " " " " (") Nut
50017e	2100	" " " " " (upper)
	138e	" Screw (3)
33603	892	" Shaft
33662		" " 33603 with 32503 and 33615
32503	2396	" " Bushing
	118za	" " Set Screw
	2007zb	" Spool Pin
*33681p		Bed
	256zb	2393	Clamp Stop Motion Clamp Screw
	248za	2393	" " " " Stop Screw
	2020	2393	" " " " Washer
	32618	2393	" " " " Flanged Bushing
	1148al	2393	" " " " Set Screw
	*2619zb		Clamp Stop Motion, complete, Nos. 248za, 256zb, 1148al, 2020 and 32618
*33663zb		Face Plate
33654zb	892	" " 33663zb with 125423zb
	203zb	2400	" " Screw
125422zb	2396	" " Thread Guard
125423zb	2396	" " " 125422zb with 125421zb
125424zb	2396	" " " Rivet
	50684zb	2400	" " Thumb Screw

From the library of: Diamond Needle Corp

No.	Plate	
32507r	2393	Feed Bar with 1944
1944	2393	" " Roller and Stud
315c	2393	" " Screw Centre (2)
15445		" " " " 315c with 1519r (2)
1519r	2393	" " " " Nut (2)
32600	895	Feed Dog
191c	2400	" " Screw
33609r	892	Feed Forked Connection with 175j
33664		" " " " 33609r with 1832
175j	2400	" " " " Adjusting Screw
1381c	2400	" " " " Hinge Screw (eccentric)
1520r	2400	" " " " " Nut
1832	2400	" " " " Roller with 1085e
1085e	2400	" " " " Screw Stud
*32510r	2393	Feed Raising Bar with 1944
1301c	2393	" " " Hinge Screw
1914	2393	" " " Roller and Stud
33693	2718	Feed Regulator
8217	2393	" " Friction Washer
51295c	2393	" " Hinge Screw
51771zb	2396	" " Thumb Nut
33694		" " " " 51771zb with 33695 and 33701
33695	2396	" " " " Screw Stud
33701	2396	" " " " Friction Spring
33611r	892	Feed Rock Shaft
307c	2400	" " " Screw Centre (2)
56814		" " " " 307c with 1513r
1513r	2400	" " " " Nut (2)
51045al	2400	Machine Hinge Connection Set Screw (2)
32672	1722	Hand Wheel , 3 $\frac{1}{2}$ " pulley, for 99K31 Machine
15282	892	" " 2 $\frac{1}{2}$ " pulley, for 99K29 and 99K30 Machines
33655	895	Needle Bar with 32519
33613	895	" " Connecting Link
33678		" " " " 33613 with 33673
33673	2393	" " " Stud with 1353al
1353al	2393	" " " Set Screw
33615	895	" " Crank with 1036al and 1134al
1134al	2400	" " " Position Screw
33657	2393	" " Hole Plug
2054zb	2393	Needle Clamp with 140545za
140545za	1160	" " Thumb Screw
32519	2393	" Stop Pin

No.	Plate	
32520	2394	Oscillating Hook
32626		" " 32520 with 32590
32656	2394	" " Bell Crank
50561c	2394	" " " " Hinge Screw
32522	2394	" " Bobbin
32590	2394	" " " Case with 1172f, 1173d and 32567
32661	2394	" " " Cushion Spring
662j	2394	" " " " " Screw
32659	2394	" " " " Position Bracket
32662	2394	" " " " Hinge Stud
50611j	2394	" " " " " Set Screw
32663	2394	" " " " Latch
50579j	2394	" " " " " Screw
32598	2394	" " " " Oil Pad (felt)
32599	2394	" " " " " Holder
32660		Oscillating Hook Bobbin Case Position Bracket, complete, Nos. 662j, 32528, 32598, 32599, 32659, 32661 to 32664, 50579j and 50580e
1172f	2394	Oscillating Hook Bobbin Case Tension Regulating Screw
32567	2394	" " " " Spring
1173d	2394	" " " " " Screw
32664	2394	" " " Ejector
50580e	2394	" " " Hinge Screw Stud
32528	2394	" " " Spring
32529r	895	" " Connecting Link
1432c	2400	" " " Hinge Screw
32594r	2394	" " Crank with 1485r
1485r	2394	" " " Clamping Screw
33618r	892	" " Pitman with two 175r
175r	2400	" " " Adjusting Screw
44c	2400	" " " Screw Stud (left)
1216c	2400	" " " " (right)
216c	2400	" " " " (") Cap Screw
1520j	2400	" " " " (") Nut
32569zb	895	" " Slide
32570	895	" " " Friction Spring
226j	2400	" " " " Screw
33619	895	Presser Bar (hollow)
33620za	895	" " Lifter
33621	2396	" " " Hinge Pin
33667e	2718	" " Lifting Bracket with 50052e
33669e		" " " " 33667e with 33676zb
33677		" " " " 33669e with 240e, 33674 and 33675
50052e	2393	" " " Clamping Screw
33623	2396	" " Spring
33672		" " " 33623 with 33624

99K MACHINE PARTS

No.	Plate	
45329zb	—	Presser Foot Hinge Pin
32772zb	—	" " Plate
32774zb	—	" " Shank
32773zb	2718	Presser Foot (hinged), complete, Nos. 32772zb, 32774zb and 45329zb
51224b	2400	" " Thumb Screw
50054zb	2396	Pressure Regulating Thumb Screw
33624	2396	" " " " Extension Pin
33676zb	2393	Slack Thread Regulator
33698	2718	Stitch Indicator
33699	2718	" " Plate
51384e	2718	" " " Screw (2)
33700	2718	" " Spring
2102	2718	Tension Disc
45866	2718	" Indicator
45864	2718	" " Flange
45865	2718	" " " Stop Washer
51681zb	2718	" Regulating Thumb Nut
33659	2718	" Releasing Lever
33671	2718	" " " Hinge Pin
33660	2718	" " " Spring
32574	2718	" " Pin
45869	2718	" Spring
140167zb	2718	" Stud
45870	—	" " 140167zb with 51681zb
50305c	2718	" " Set Screw
32757	—	Tension (graduated), complete, Nos. 32574, 32758, 32759, 45864 to 45866, 45869, 45870 and two 2102
26075e	2393	Thread Cutter and Holder
33632zb	2393	Thread Guard (front of arm)
237zb	2393	" " (" " ") Set Screw
8422zb	2393	" " (head of arm)
33634	2718	" Take-up Crank
1036al	2718	" " " Set Screw
33635za	895	" " Lever
33636za	—	" " " complete, Nos. 33635za, 33637 and 33638
33679za	—	" " " 33636za with 33634, 33678, 50056c and 50057c
50056c	2718	" " " Cap Screw
33637	2718	" " " Hinge Stud
624al	2718	" " " " Set Screw

99K MACHINE PARTS

No.	Plate	
33638	2718	Thread Take up Lever Link
50057c	2718	" " " " Hinge Screw
32758	2718	" " Spring
32759	2718	" " " Regulator with 50305c
453al	2718	" " " " Set Screw
32602za	895	Throat Plate for 32600
691za	2400	" " Screw (2)
33674	2394	Timing Gauge (for setting the height of needle Bar and timing the Oscillating Hook)
240e	2394	" " Screw
33675	2394	" " " Washer
94013	—	Drip Pan (for Machine on Cover Set)

Bobbin Winder (Universal)

No.	Plate	
33689	2646	Bracket (belt cover)
180zb	2646	" Screw
66670	2646	Frame
45297		" 66670 with 15288 and 66671
51319zb	2646	" Hinge Screw
66601	2646	" Spring
15287	2646	Friction Ring (rubber)
15288	2646	Pulley
66671	2646	Spindle
45268	2646	Stop Latch
51303zb	2646	" " Hinge Screw
125462	2646	" " Spring
125326	2646	Tripping Arm
190zb	2646	" " Screw
33690	2646	Bobbin Winder, complete, Nos. 190zb, 15287, 33689, 45268, 45297, 51303zb, 51319zb, 66601, 125326 and 125462
33691	2646	Thread Guide
208zb	2646	" " Screw
7071	2646	" " " Washer

Attachments ATTACHMENT SET (Supplied with Machine)

No.	Plate	
121464	2574	Binder
36865	2574	Edge Stitcher
121441	2574	Gathering Foot (double toe)
35931	2574	Hemmer (adjustable)
15 x 1		Needles (6)
86642	2574	Ruffler
25537	2574	Screw Driver (machine)
120378	2574	" " (bobbin case)
8879	2574	Spool Pin Washer (cloth)
160810		Set of Attachments, complete, Nos. 25537, 35931, 36865, 86642, 120378, 121441, 121464, two 8879 and six needles
120842	2649	Hemmer (foot) $\frac{5}{8}$ " hem
32522	2394	Oscillating Hook Bobbin (4)
120861		Tin of Oil (3 oz.)

ATTACHMENTS WHICH MAY BE PURCHASED SEPARATELY

25525	2719	Bias Gauge
25527b	2719	Cloth Guide
50053b	2719	" " and Under Braider Thumb Screw
120687	2649	Imitation Hemstitching Attachment with Yielding Presser Plate
35932	2719	Quilter
121170	909	Ruffler Shurring Plate
25539	2719	Stiletto
36583	1160	Tucker
121547	909	Under Braider

CORDING FEET

FOR STITCHING ON EDGE, INSERTING CORD AND SLIDE FASTENER WORK

No.	Plate	
160845	2719	Cording Foot (left toe)
160846	2719	" " (right toe)

PRESSER FOOT

FOR CORDING AND SLIDE FASTENER WORK

No.	Plate	
121875		Presser Foot
140347w	2719	" " Adjusting Thumb Screw
121876		" " Body
121877	2719	Presser Foot (adjustable) for sewing on the right or left side of the needle, complete, Nos. 121875, 121876 and 140347w

From the library of: Diamond Needle Corp.

NEEDLE THREADER

No.	Plate	
121632	---	Needle Threader (Universal)

DARNING AND EMBROIDERY

No.	Plate	
86493	1160	Darning Presser Needle Clamp with 140545k
86494	1160	" " " " Stripper Spring
86495	1160	" " " " " " Eyelet
140545k	1160	" " " " Thumb Screw
86496	1160	Darning Presser, complete, Nos. 86493 to 86495
121094	2649	Spring Darning Foot
85893	2649	Embroidery Foot
32622	2649	Feed Cover Plate

**EMBROIDERY HOOPS (Plain)
(BIRCH)**

No.	Plate	
87586		Round, 5 $\frac{5}{8}$ " diam. \times 7 $\frac{m}{m}$ high
96416		" 7" " \times 7 $\frac{m}{m}$ " "
87589	1221	" 8" " \times 7 $\frac{m}{m}$ " "
87593		" 10" " \times 7 $\frac{m}{16}$ " "
87595		" 12" " \times 7 $\frac{m}{2}$ " "
96422	1221	Oval, 9" \times 4 $\frac{1}{2}$ " \times 7 $\frac{m}{m}$ high
87597	---	" 12" \times 5 $\frac{1}{2}$ " \times 7 $\frac{m}{m}$ " "

**EMBROIDERY HOOPS (with Clamp)
(BIRCH)**

No.	Plate	
96417		Round, 5 $\frac{5}{8}$ " diam. \times 7 $\frac{m}{m}$ high, with SS528j, NN95j, two 96425 and four 96427
96418		" 7" " \times 7 $\frac{m}{m}$ " " SS528j, NN95j, two 96426 and four 96427
96419		" 8" " \times 7 $\frac{m}{m}$ " " SS528j, NN95j, two 96426 and four 96427
96420		" 10" " \times 7 $\frac{m}{16}$ " " SS528j, NN95j, two 96426 and four 96427
96421		" 12" " \times 7 $\frac{m}{2}$ " " SS528j, NN95j, two 96844 and four 96845
96423		Oval, 9" \times 4 $\frac{1}{2}$ " \times 7 $\frac{m}{m}$ high, with SS528j, NN95j, 96425, 96426 and four 96427
96424		" 12" \times 5 $\frac{1}{2}$ " \times 7 $\frac{m}{m}$ " " SS528j, NN95j, 96425, 96426 and four 96427
96425	2399	Clamping Bracket for 96417, 96423 and 96424
96426	2399	" " " 96418 to 96420, 96423 and 96424
96844	2399	" " " 96421
96427	2399	" " " Rivet for 96417 to 96420, 96423 and 96424
96845	2399	" " " 96421
SS528j	2399	" " Screw
NN95j	2399	" " Nut

From the library of: Diamond Needle Corp

HAND ATTACHMENT

(For 99K30 Machine)

No.	Plate								
94050	2284	Body
94027	2284	" Bracket
183e	2114	" " Screw
94028	2114	Crank Handle (wood)
94029b	2114	" " Spindle
94030b	2114	" " " Flange (loose)
94069	2114	" Hinge Pin
94031a	2284	" Lever
94032	2114	" " Lock Pin
94033b	2114	" " " " Head
55531	2114	" " " " Spring
94034b		" complete, Nos. 94028, 94029b, 94030b and 94031a
94046	2114	Driver
94070		" 94046 with 80028 and 94048
94036	2114	" Finger
94039	2114	" " Driving Pad (raw-hide)
94040	2114	" " " " Plate
SS567e	2114	" " " " and Plate Binding Screw
94041	...	" " 94036 with SS567e, 94039 and 94040
94044	2114	" " Hinge Pin
94037	2114	" " Latch
SS565e	2114	" " " Screw Stud
94038	2114	" " " Spring
94051b	2284	Gear with 55531, 94032 and 94033b
94016	2284	" Cover
399a	2114	" " Screw
SS599f	2114	" Screw Stud
94048	2114	Pinion
80028	2114	" Dowel Pin
SS600f	2114	" Screw Stud (eccentric)
94052b	2284	Hand Attachment, complete, Nos. SS565e, SS566e, SS599f, SS600f, 94016, 94027, 94031b, 94037, 94038, 94041, 94044, 94050, 94051b, 94069, 94070, two each 183e and 399a
SS566e	2114	Hand Attachment Screw